

2 0 2 3

Beyond Packs

Ophthalmic single-use instruments and accessories

Geuder
Precision made in Germany

MedOne

OPHTHALMED

KAWACK

The Family



Kawack Teb Amurtat is focused on providing consumables of vitreo-retinal and cataract surgeries in Iran. Kawack is proud to have brought highly experienced faculty on board who have previously served leading market entities, giving us an edge in operations, marketing and logistics. We have brought the best of all worlds and we serve it the best.



Kawack Teb Amurtat LLC. 64 Hoquqi,
Peach-Shemiran Tehran, Iran

T| +98 21 7762 4412
T| +98 21 7762 4413
F| +98 21 7753 8653

www.kawack.com
info@kawack.com



Geuder AG has been one of the most innovative eye surgical product manufacturers for the past 70 years. Ophthalmic surgeons in over 100 countries rely on more than 3,000 Geuder products when performing surgical operations.



GEUDER AG. Hertzstr. 4, 69126
Heidelber, Germany

T| +49 6221 3066
F| +49 6221 303122

www.geuder.de
info@geuder.de



for over a decade, MedOne Surgical, Inc. has been helping surgeons around the world conquer complex surgical challenges with innovative, high-quality products. Our primary focus is on single-use products for vitreoretinal surgery, including specialty cannulas, backflush instruments, and related devices for retina surgery. We also offer a small range of products for neurotology and skull base surgery.



MedOne Surgical, Inc. 670 Tallevast
Road Sarasota, FL 34243, USA

T| +1 866 633-6631
T| +1 941 359-3129
F| +1 941 359-1708

www.medone.com
medone@medone.com



In business since 2001, Ophthalmed LLC specializes in designing and manufacturing higher quality endo photocoagulation laser probes. The range of our products is one of the most extensive on the market, backed up by several patent pending applications, and private labeled to major companies in US and world-wide, including well known laser machine manufacturers and other high profile distributors.



Ophthalmed LLC. 1050 North-
field Ct. Suite 280, Roswell, GA
30076, USA

T| +1 770 777-6613
F| +1 678 623-3765

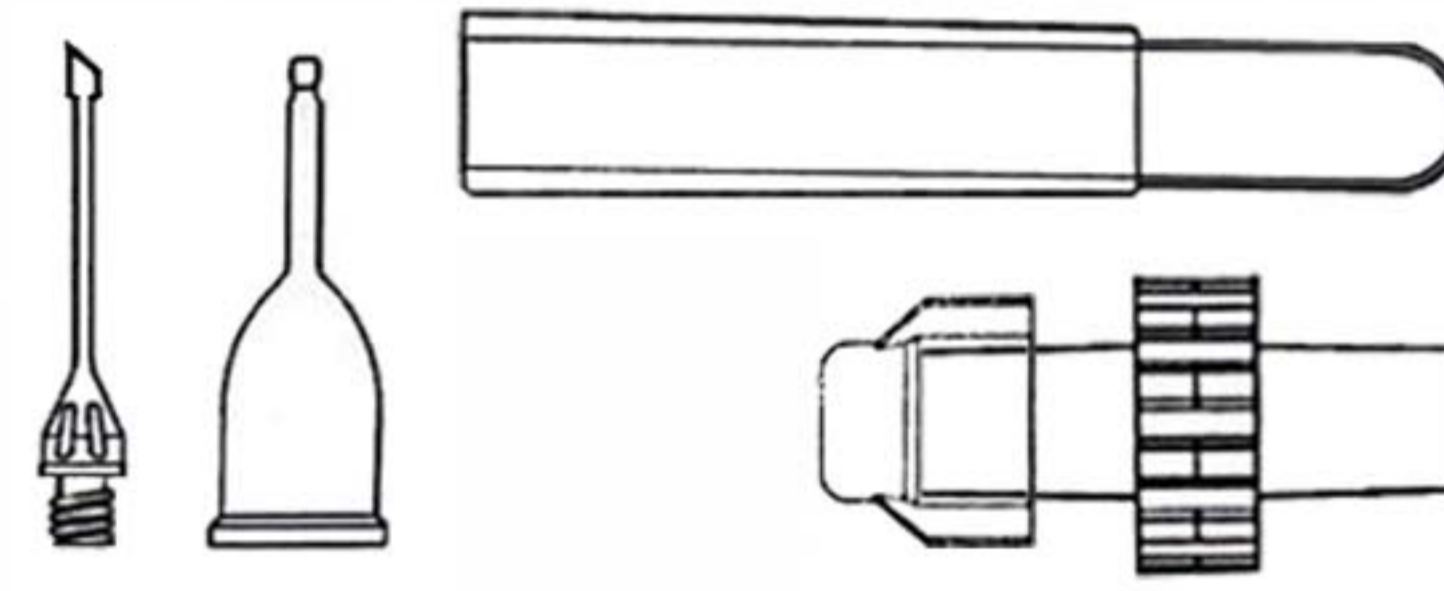
www.ophthalmed.com
info@ophthalmed.com



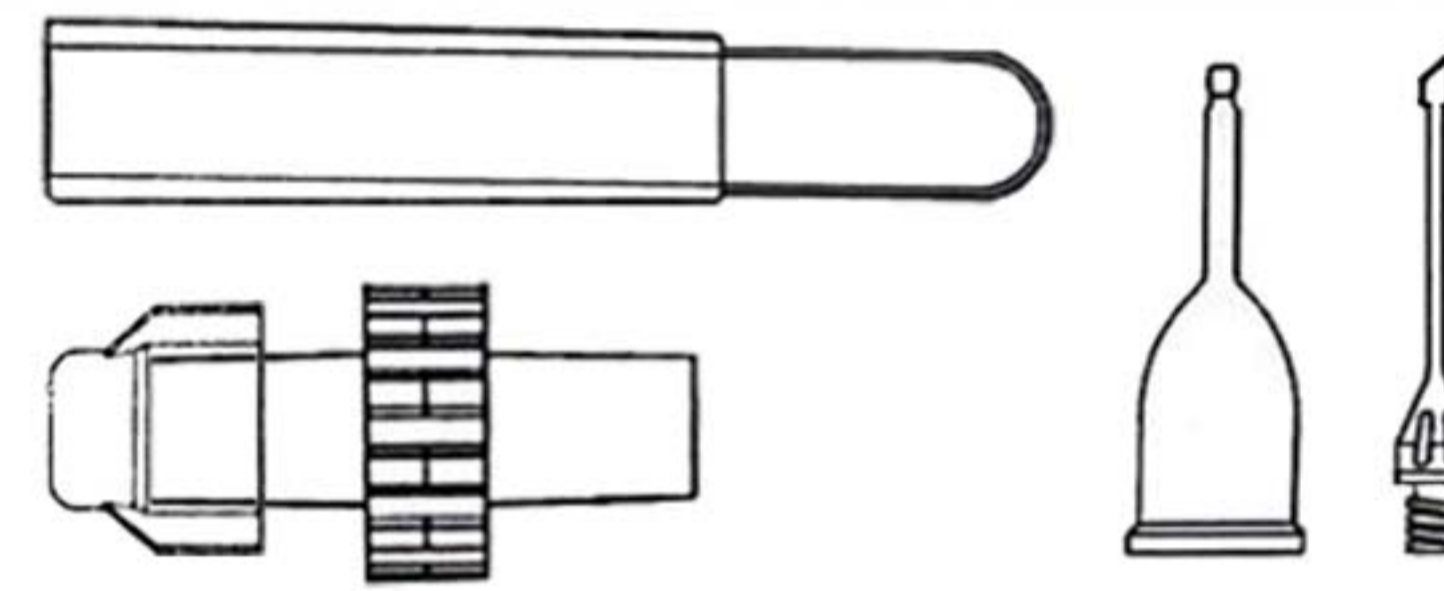
Phaco Kits

Stepped tips

G-24306 Single-Use Phaco Kit
 for 2.6 – 2.75 mm incision
 including:
 ultrasonic tip STEPPED titanium 30°,
 infusion sleeve,
 test anterior chamber,
 wrench

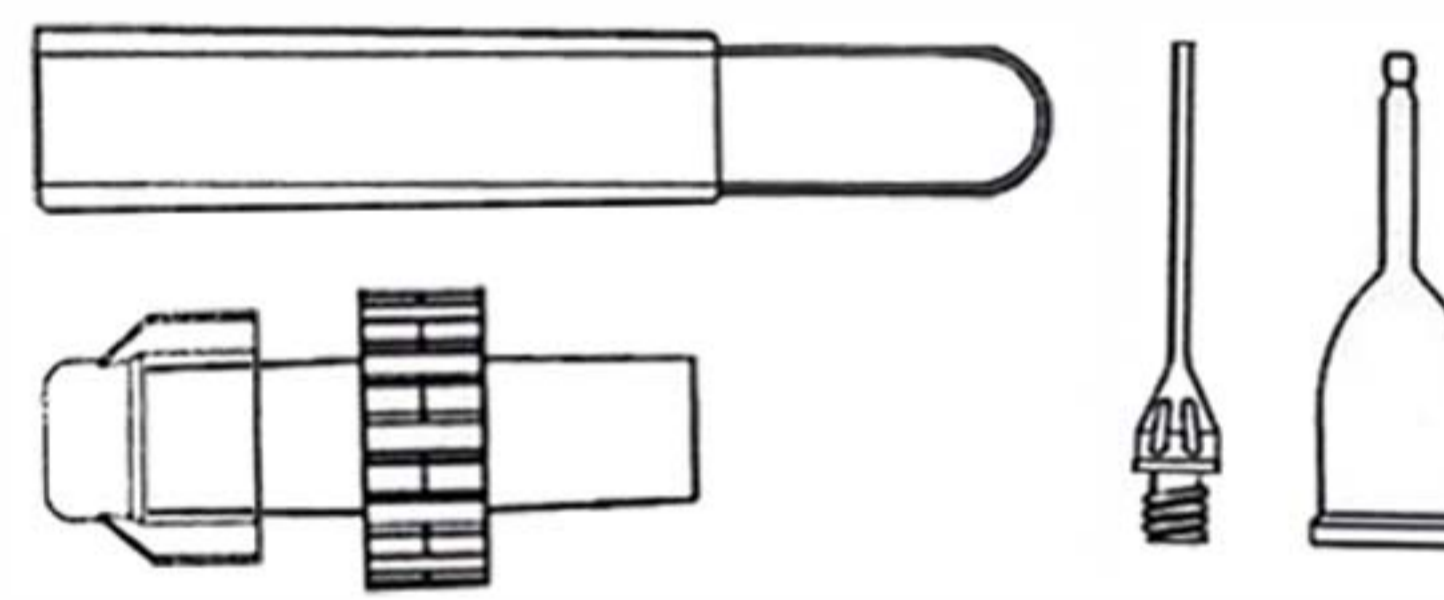


G-24307 Single-Use Phaco Kit
 for 2.8 – 2.95 mm incision
 including:
 ultrasonic tip STEPPED titanium 30°,
 infusion sleeve,
 test anterior chamber,
 wrench

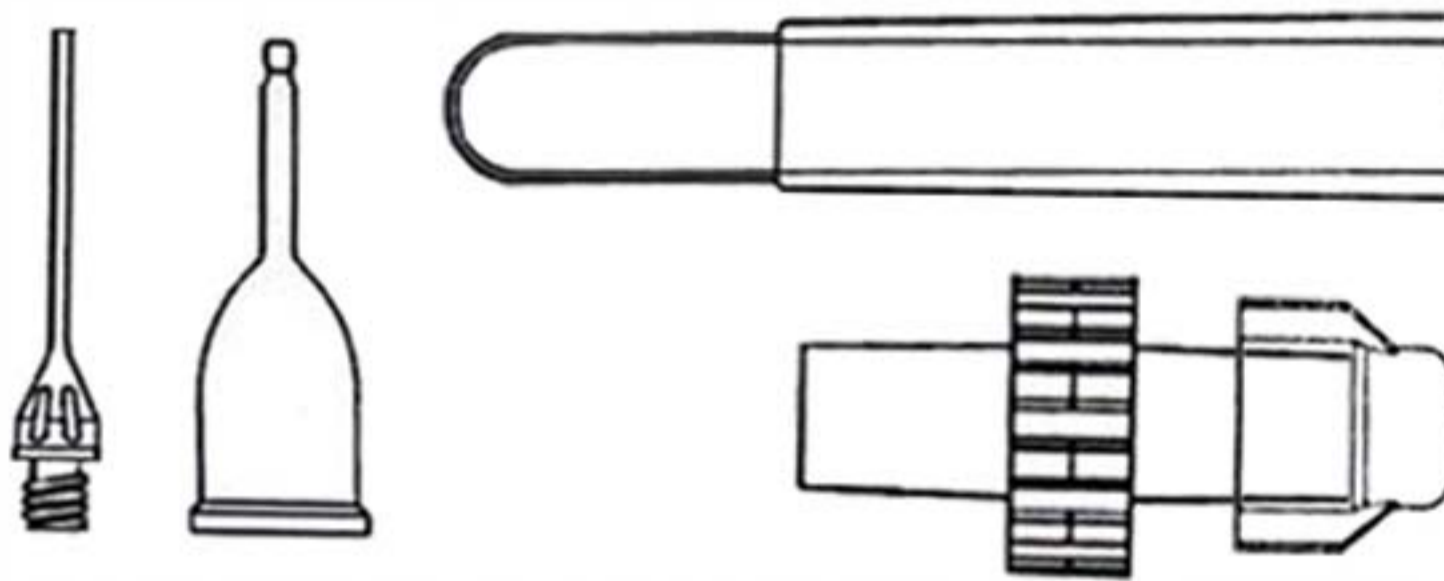


Stright tips

G-24353 Single-Use Phaco Kit
 for 2.6 – 2.75 mm incision
 including:
 ultrasonic tip STRIGHT titanium 30°,
 infusion sleeve,
 test anterior chamber,
 wrench



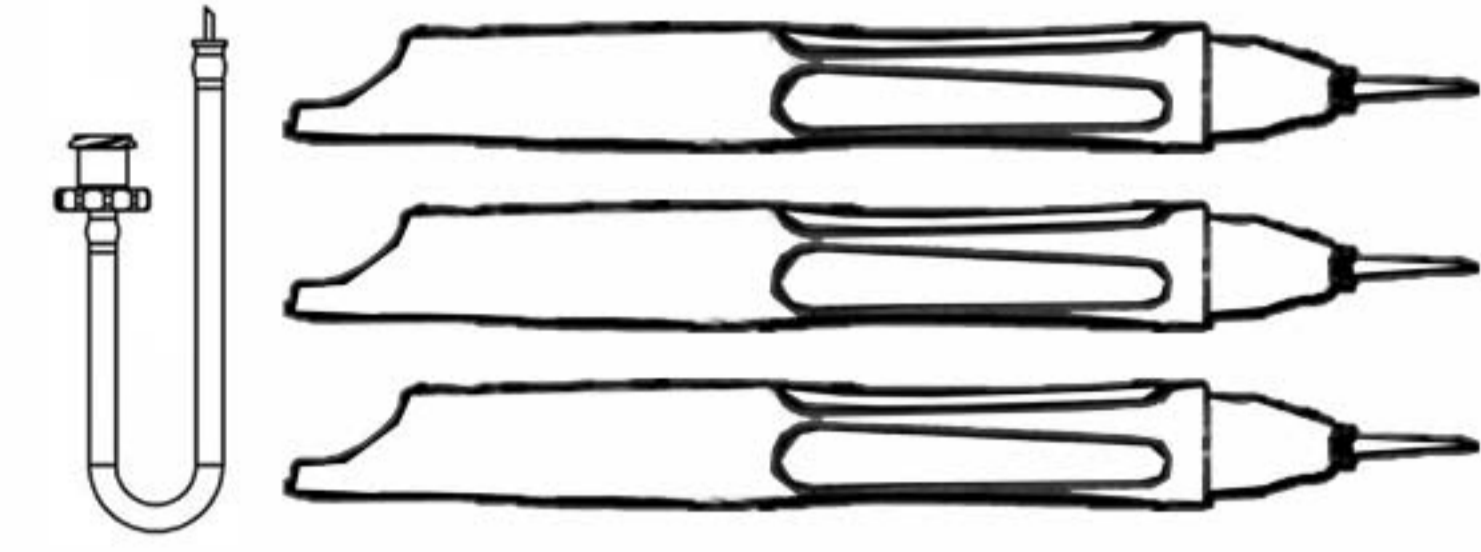
G-24354 Single-Use Phaco Kit
 for 2.8 – 2.95 mm incision
 including:
 ultrasonic tip STRIGHT titanium 30°,
 infusion sleeve,
 test anterior chamber,
 wrench



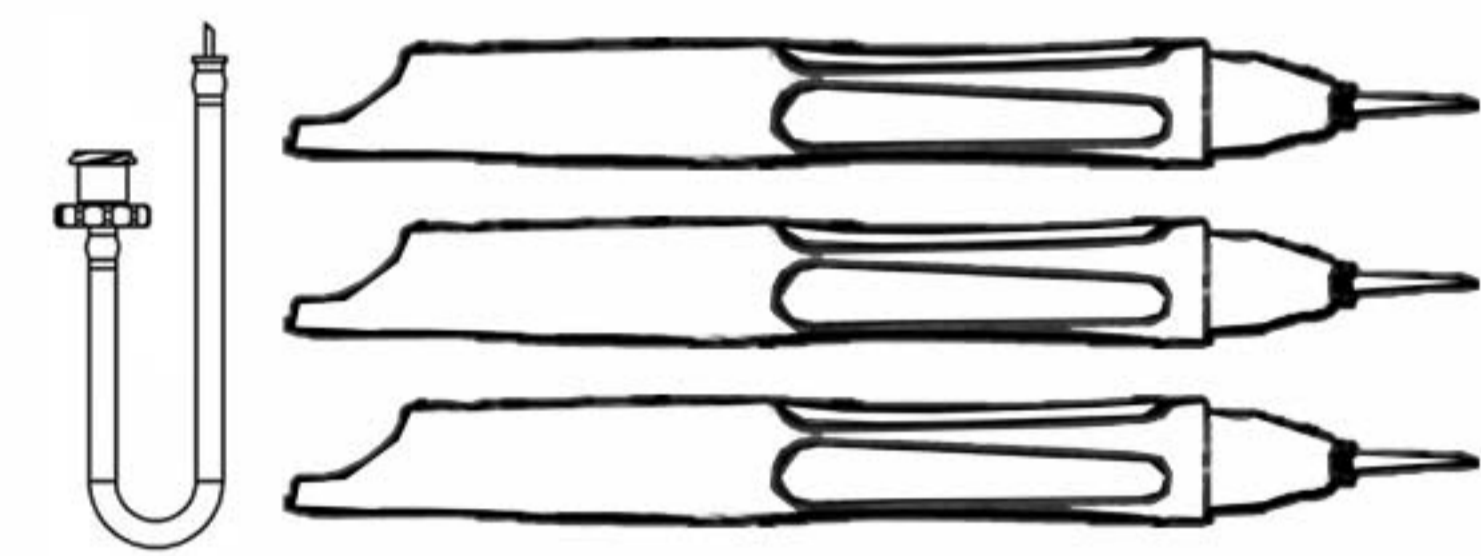
Trocar System

Trocars + inflow

- 23g | **G-42311** Hattenbach / Nikolic Single-Use Trocar System One-Step
23G Uno Colorline GREEN: 23 gauge / 0.6 mm
3 ports for one-step technique, incl. infusion tubing
1 set per box, sterile



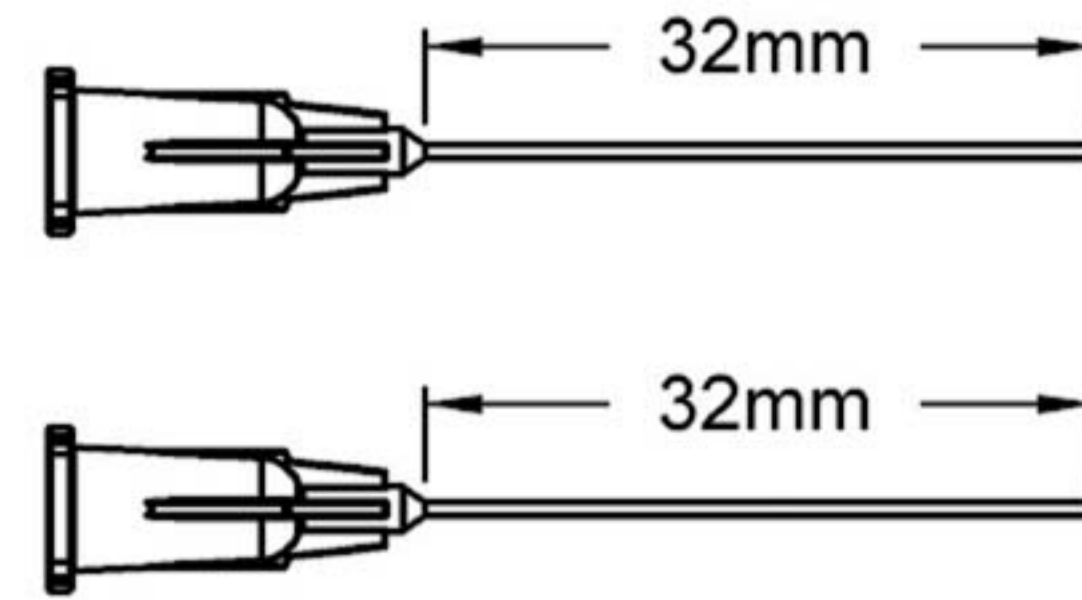
- 25g | **G-42511** Hattenbach / Nikolic Single-Use Trocar System One-Step
25G Uno Colorline BLUE: 25 gauge / 0.5 mm
3 ports for one-step technique, incl. infusion tubing
1 set per box, sterile



Cannulas

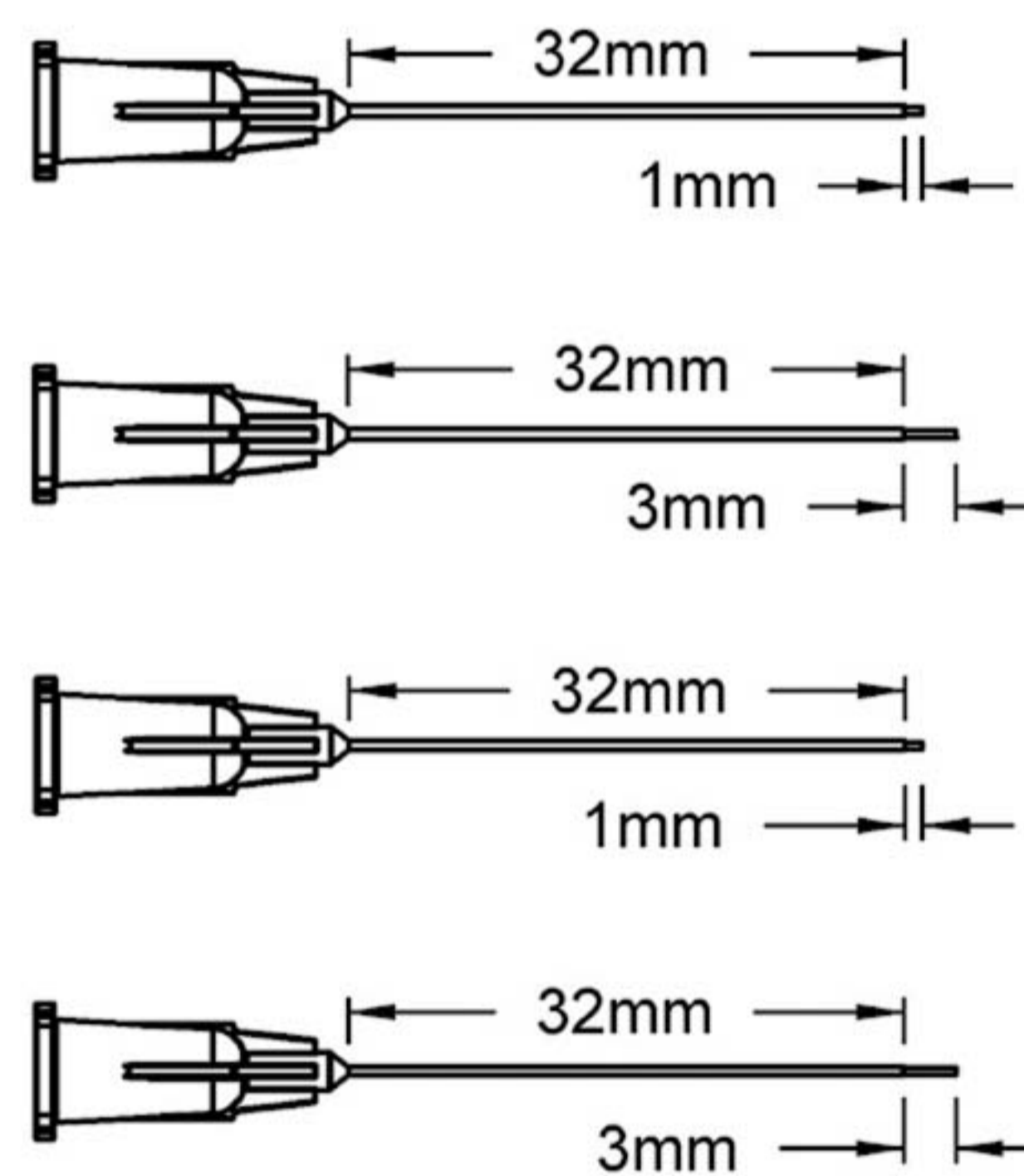
Hard Tip Cannulas

- 23g | **3234** Cannula (23g)
23g x 32mm
- 25g | **3225** Cannula (25g)
25g x 32mm



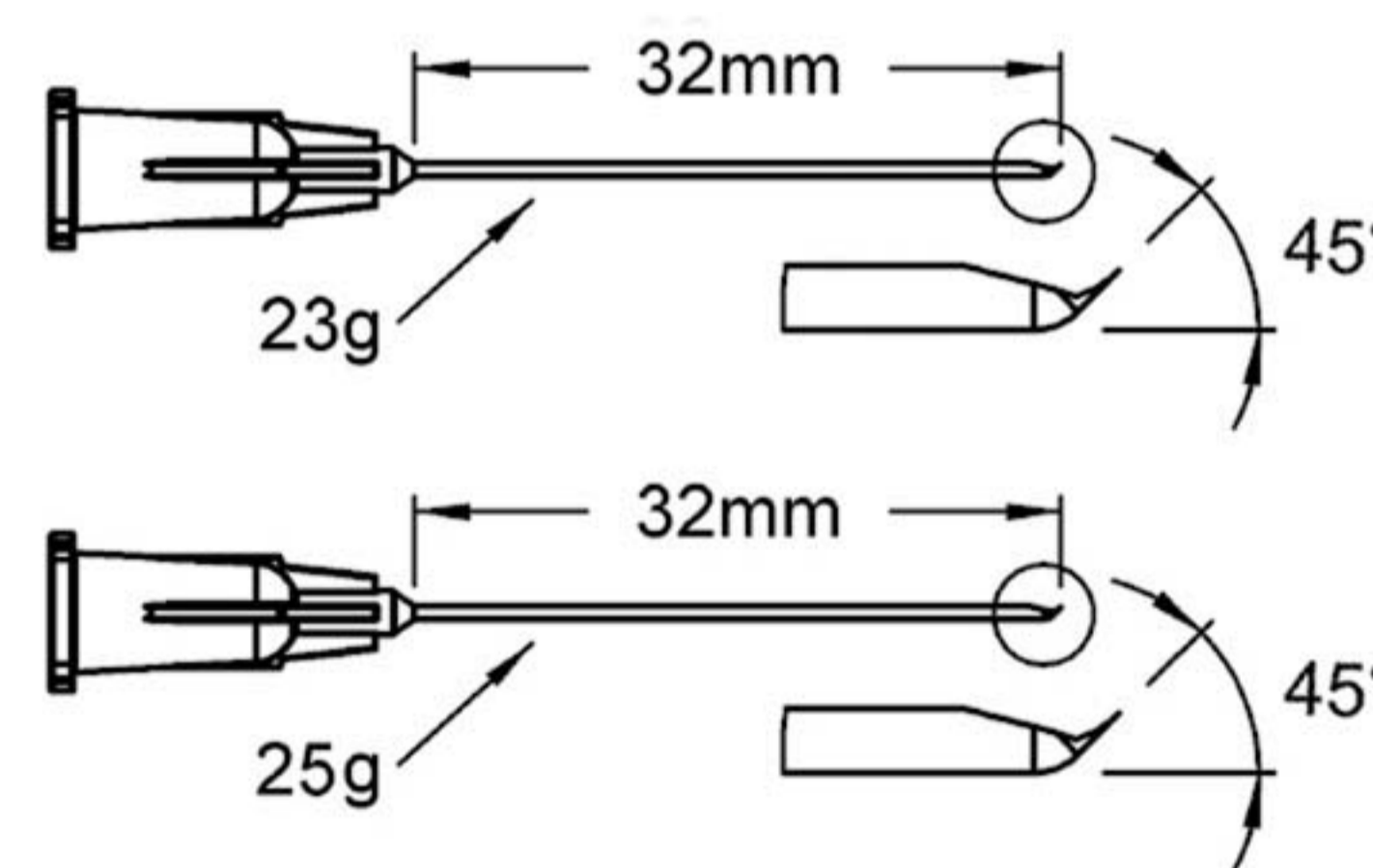
Soft Tip Cannulas

- 23g | **3230** FlexTip™ Cannula (23g) 1mm
23g x 32mm cannula with 1mm tip
- 23g | **3231** FlexTip™ Cannula (23g) 3mm
23g x 32mm cannula with 3mm tip
- 25g | **3221** FlexTip™ Cannula (25g) 1mm
25g x 32mm cannula with 1mm tip
- 25g | **3220** FlexTip™ Cannula (25g) 3mm
25g x 32mm cannula with 3mm tip



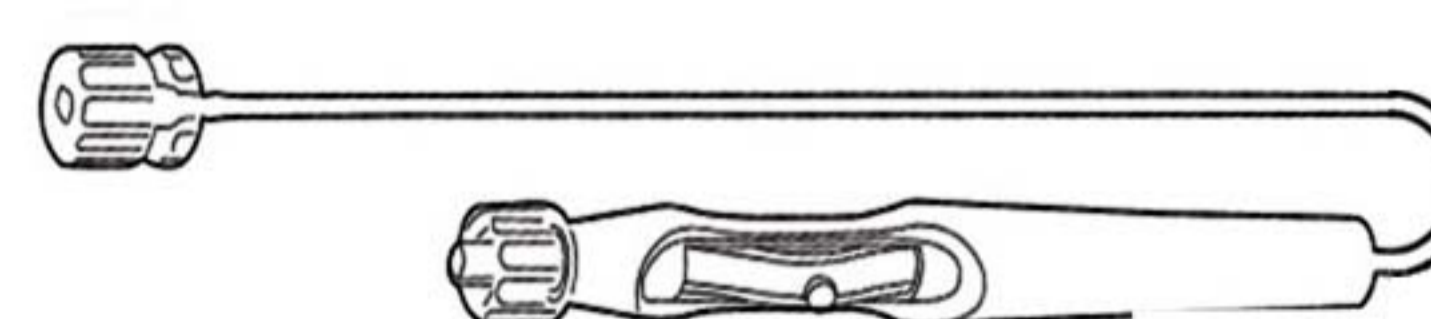
Micro Picks

- 23g | **3229** MicroPick (23g)
23g x 32mm
- 25g | **3204** MicroPick (25g)
25g x 32mm



Backflush Handle

- — | **3228** Backflush Handle Active



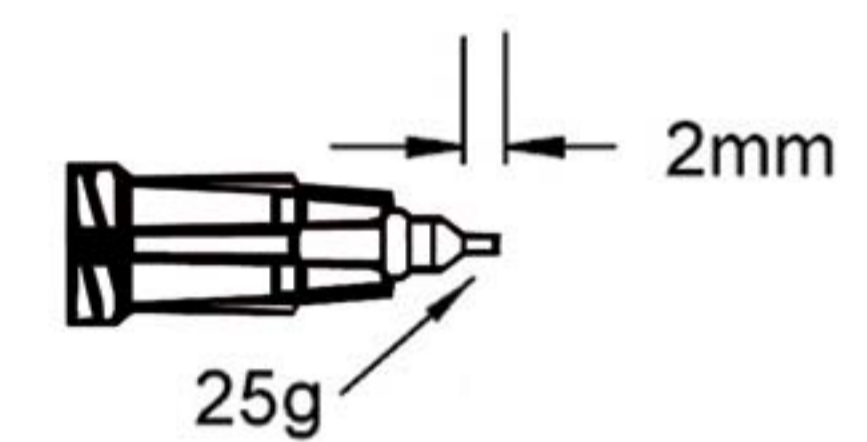
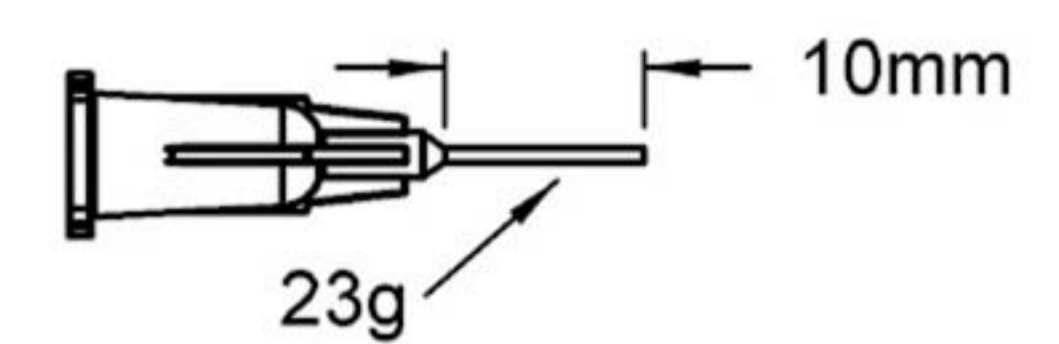
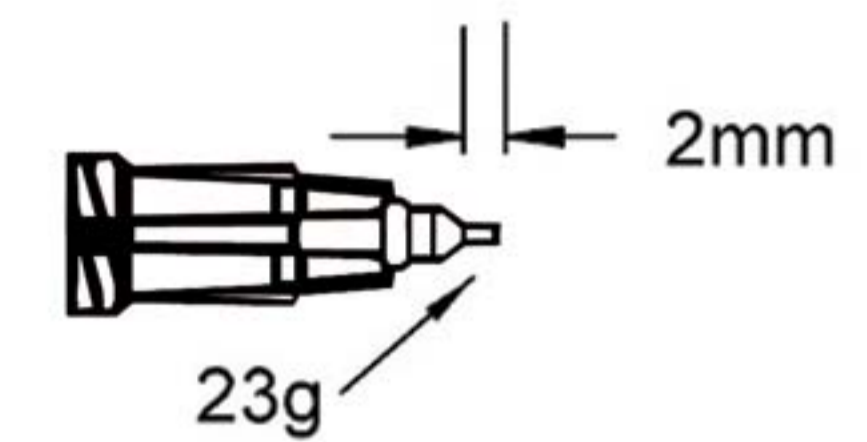
3228

Oil Injection & Extraction

VFI Cannulas

MedOne VFI Cannulas utilize an extremely thin-walled tube, allowing injection of viscous fluids such as silicone oil through an entry cannula. The luer lock hub enables an easy, secure connection to a syringe, extension tube, or injection system.

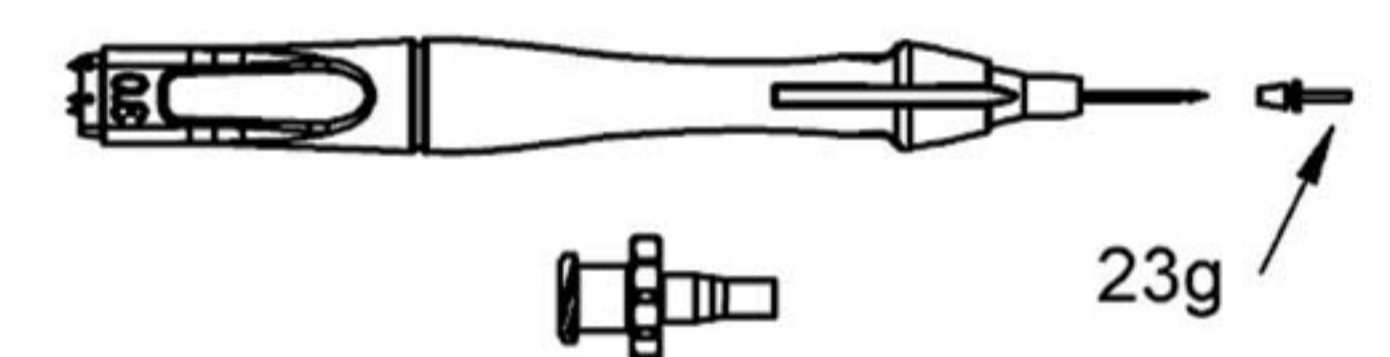
- 23g
 - 3235** VFI Cannula (23g)
23g x 2mm
 - 3241** PolyTip VFI Cannula (23g) 10mm
23g x 10mm
- 25g
 - 3226** VFI Cannula (25g)
25g x 2mm



Oil Removal Cannula (Kapran)

MedOne's innovative Oil Removal Cannula enables removal of oil through a sutureless incision. Simply place the trocar cannula using standard technique. Then push the included silicone tube onto the specially-shaped port cannula and aspirate the oil using a standard syringe or pump system.

- 23g
 - 3300** Oil Removal Cannula (23g) Kapran
System includes :
handle , trocar cannula , and adaptor tubing



Developed in cooperation with Ziya Kapran, MD



Watch a demo video
on our YouTube
Channel or go to
www.MedOne.com



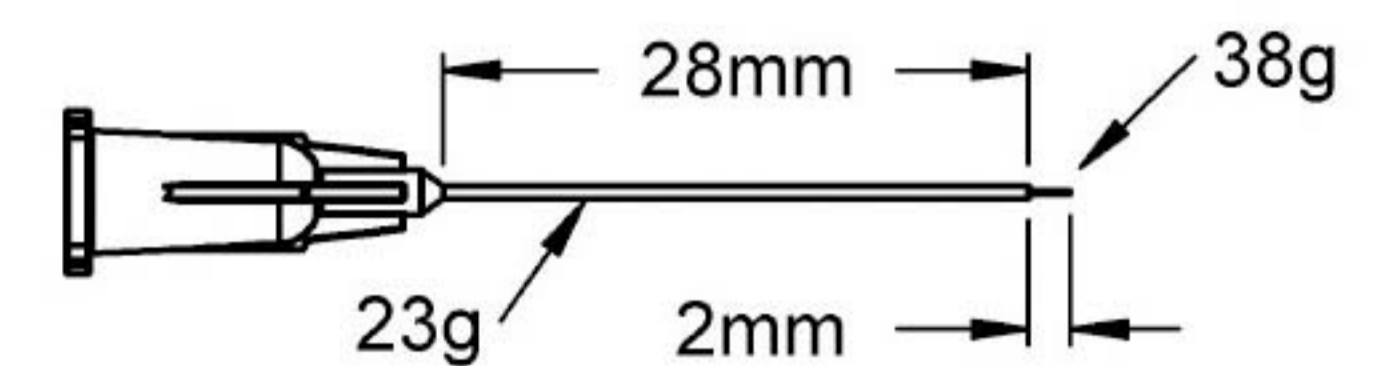
Subretinals

Subretinal PolyTip® Cannulas

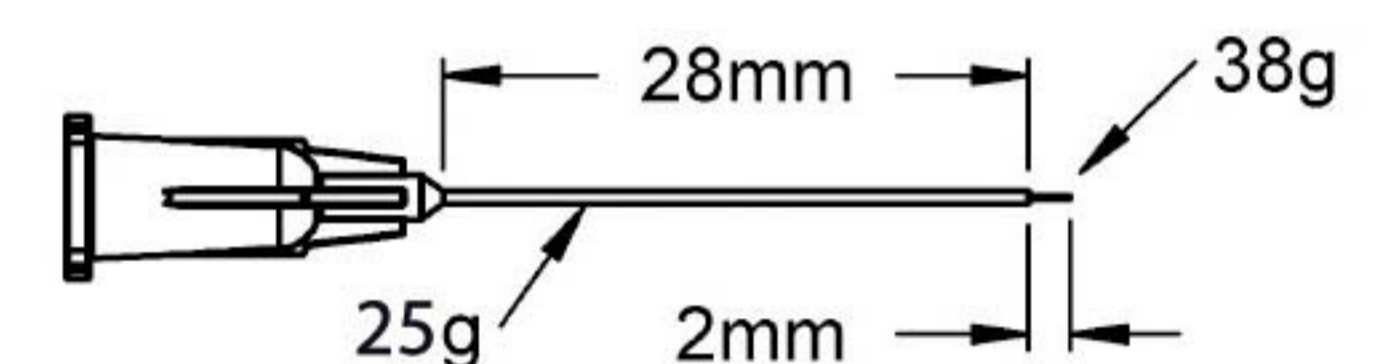
The 38g microtip is ideal for subretinal injection. The tip is rigid enough to penetrate the retina, eliminating the need to create a separate retinotomy.

Green polyimide tip allows enhanced visibility for accurate positioning during surgery. Short 2mm tip length results in increased stiffness for easier insertion into the subretinal space.

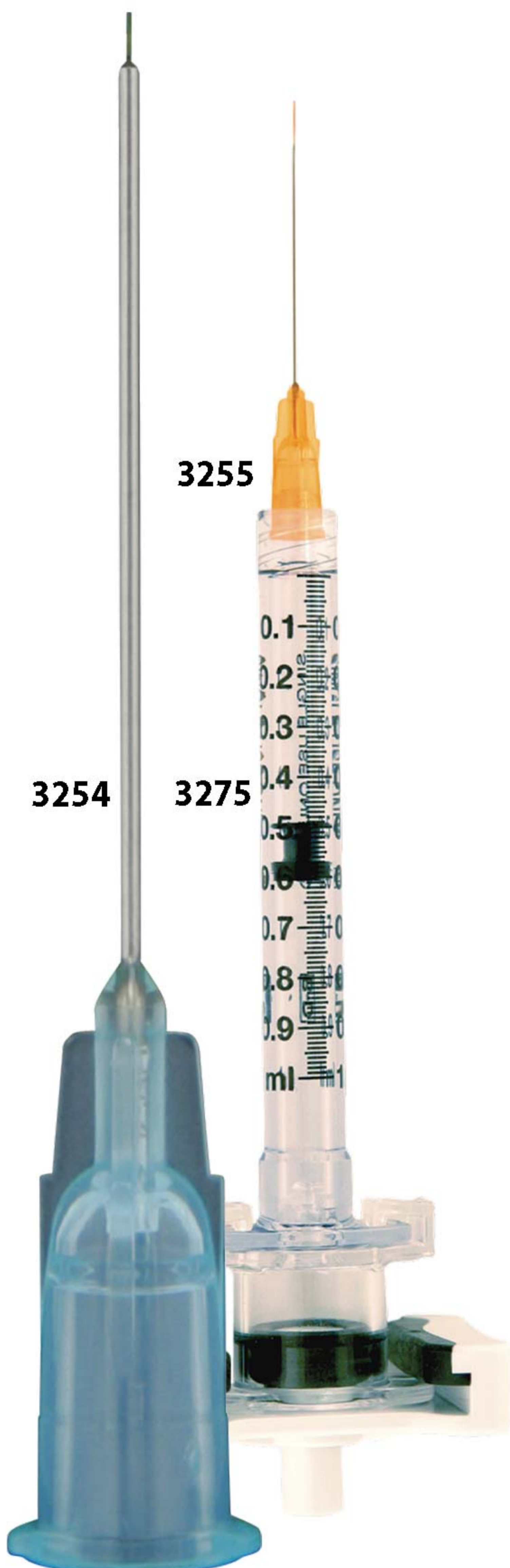
- 23g | **3254** PolyTip® Cannula 23g/38g (2mm)
23g x 28mm cannula
with 38g (0.12mm) x 2mm tip



- 25g | **3255** PolyTip® Cannula 25g/38g (2mm)
25g x 28mm cannula
with 38g (0.12mm) x 2mm tip



MedOne subretinal PolyTip® Cannulas are equivalent to "41g" cannulas in other brands:



MicroDose™ Injection Kit

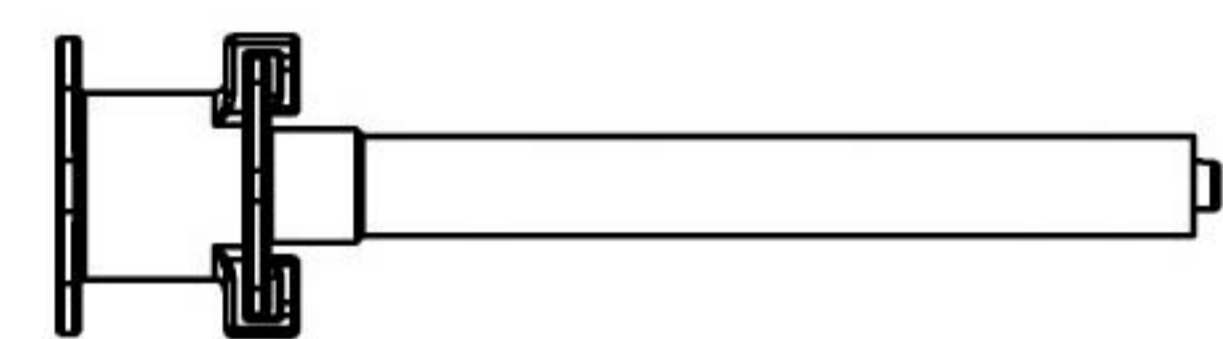
Adapts your vitrectomy console viscous fluid injection set to use a 1mL syringe. It is ideal for low volume subretinal injections. It enables full surgeon control for administering subretinal injections with minimal fluid loss.

Kit includes adapter and syringe. MicroDose™ Kit can be connected to the VFI tubing set from Constellation®, Stellaris®, and EVA® systems.

- — | **3275** MicroDose™ Injection Kit

Developed in cooperation with David M. Brown, MD, Houston, TX

Constellation® is a trademark of Alcon Laboratories, Stellaris® is a trademark of Valeant and EVA® is a trademark of Dutch Ophthalmic.



Extension Tube

This short silicone extension tube can be used with any of our cannulas for precise, controlled microinjections. It is ideal for use with our subretinal PolyTip® Cannulas, enabling precise positioning of the cannula tip while injection is performed with the opposite hand or by an assistant. The short, small-bore tube has a 0.2mL priming volume for minimal fluid loss and precise delivery.

- — | **3223** Extension Tube (Hammer)
5cm (2in) silicone tube with
male and female luer lock connectors



Laser Probes

compatible with

Alcon: Constellation, PurePoint, EyeLite *

Ellex: Solitaire *

Topcon: PASCAL, LC-300 *

● 23g	Straight	A21A000	
	Angled	A23A000	
● 25g	Straight	A32A000	
	Angled	A37A000	

compatible with

Bausch+Lomb: Stellaris PC *

Iridex: GL, Oculight *

● 23g	Straight	A21A000	
	Angled	A23A000	
● 25g	Straight	A32A000	
	Angled	A37A000	

compatible with

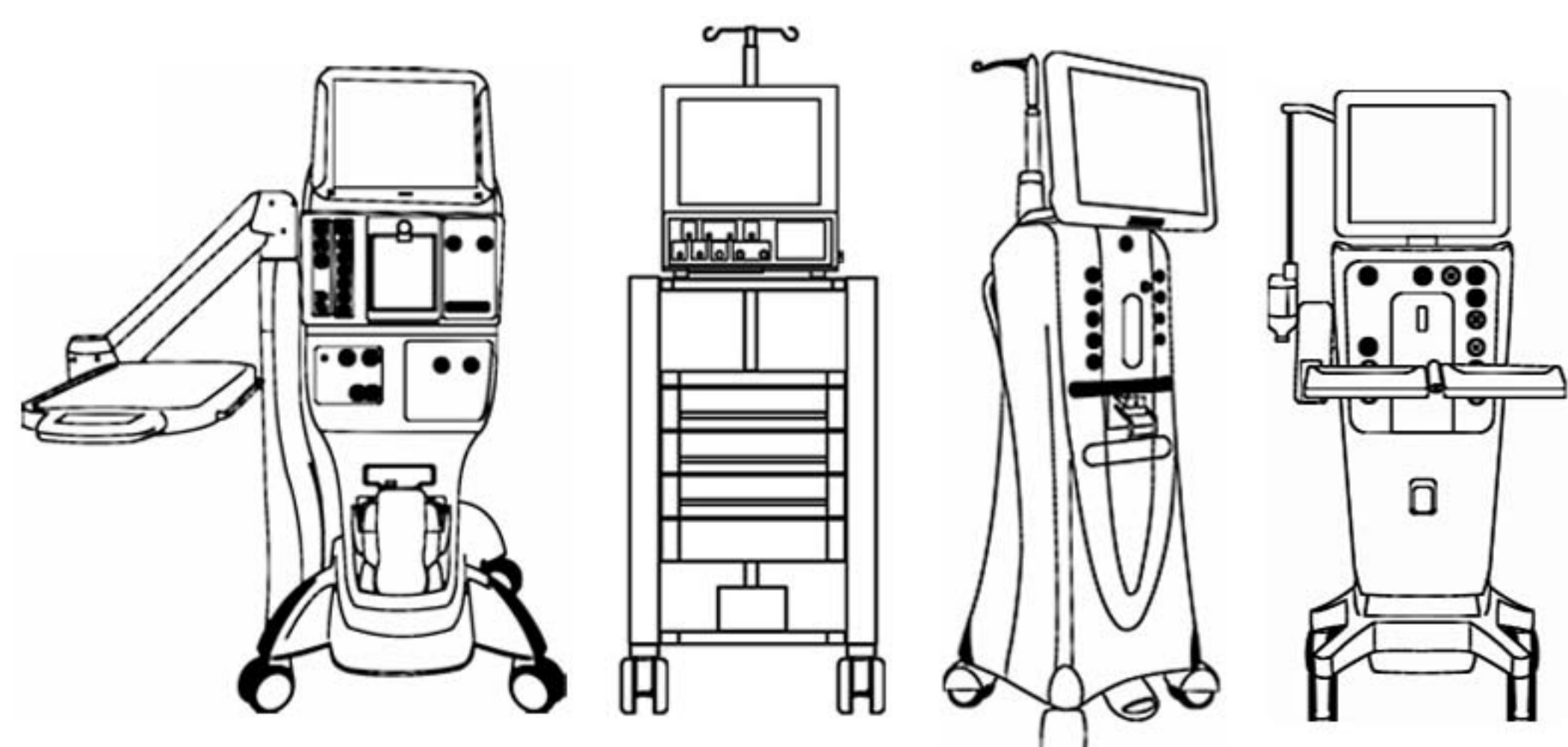
DORC: EVA, LaserStar *

● 23g	Straight	A21A000	
	Angled	A23A000	
● 25g	Straight	A32A000	
	Angled	A37A000	

Ophthalmed's 8ft (illuminated) laser probe is indicated for Endo-Ocular laser photocoagulation treatments in order to provide coagulation (and illumination) during surgical interventions at laser operating wavelength of 500 to 1,100nm.




Ophthalmed's laser fiber is terminated from one side with a connector that attaches the fiber end to the laser source. In illuminated laser probes, the fiber is terminated from the same side with a connector that attaches the fiber end to the illumination machine.

From the other side, it is terminated with a handpiece for holding and manipulation during surgery. In ordinary (illuminated) laser probes, the handpiece is terminated by a stainless steel tubing that holds the tip of the fiber (of 20/23/25 or 27g in size). In bending (illuminated) laser probes, the handpiece is terminated by a proximal stainless steel tubing that is 20/23/25 or 27 gauge in size, and ending with a distal pre-curved PEEK memory tube that can change angle when activated by the sliding button on the handle side. When the sliding button on the handle is advanced, an internal straightening tube advances into the distal pre-curved PEEK memory tube, thus causing a reduction of the angle of the pre-curved PEEK memory tube, down to zero degrees at the maximum sliding position, allowing the selection of the desired angle during surgery.



knowing more
serving better



 (021) 7762 4412
 (021) 7762 4413
 (021) 7753 8653

 www.kawack.com
 info@kawack.com
 1 6 1 1 9 - 6 3 9 1 1